

1229 SMALL PULLEY FIXED - 0606 ROLLER FIXED

Single pulley with fixed flanges.
Accommodates ropes up to 12 mm in diameter.
Aluminium alloy main body and wheel.

CE EN 12278

Breaking load: 20 kN.
Maximum working load: 5 kN.

Available with brass bearings (ref.1229)
or ball bearings (ref.0606).

SELF RESCUE

TEAM RESCUE

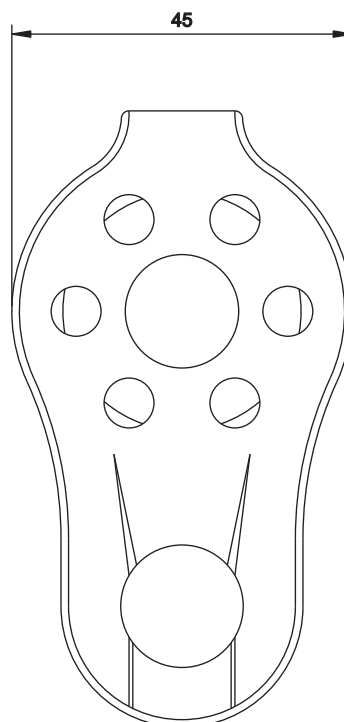
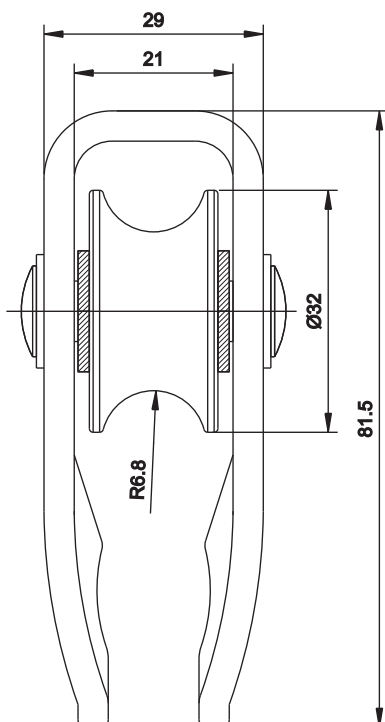
ROPE ACCESS

TREE CLIMBING

1229
g
90



0606
g
110



122903 BLACK

